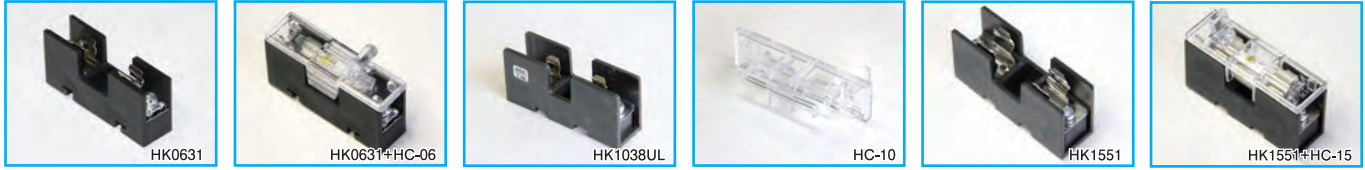


OPTIONS

FUSE HOLDERS

◆ For cylindrical fuses



Specifications

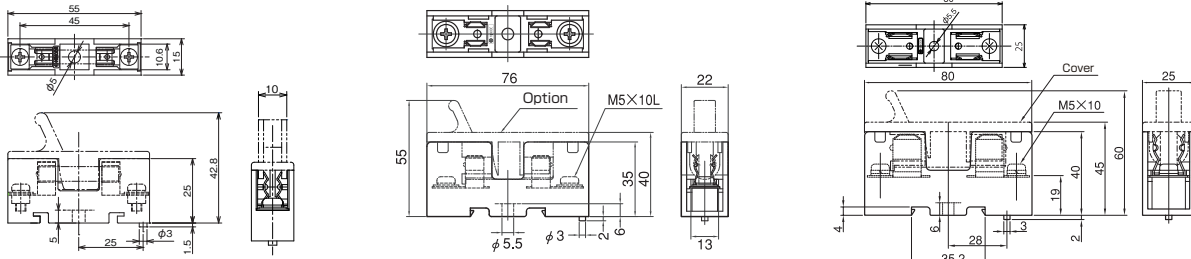
	HK0631	HK1038/HK1038UL	HK1551
Rated Voltage	500V	700V	800V
Rated Amperage*1	15A	30A	40A
Applicable Wires	Up to 5.5mm ² (M4)	Up to 8mm ² (M5)	Up to 14mm ² (M5)
Installation	DIN rails and direct installation	DIN rails and direct installation	DIN rails and direct installation
Applicable fuses	φ6.4×31 (Our product 250SF/500SF Series*2)	JIS MF01 [φ10.3×38.1] (Our product 660CF Series*2)	JIS CF2 [φ15×51mm] (Our product 700CF/800CF Series*2)
Material	PBT	PBT	PBT
Name of UL Approved Product	—	HK1038UL	—
Options	Fuse holder cover HC-06	Fuse holder cover HC-10	Fuse holder cover HC-15
Installing Hole Size			

Dimensions

HK0631

HK1038/HK1038UL

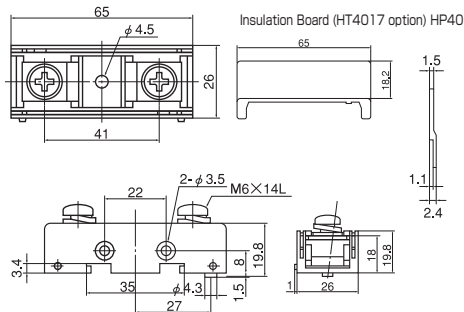
HK1551



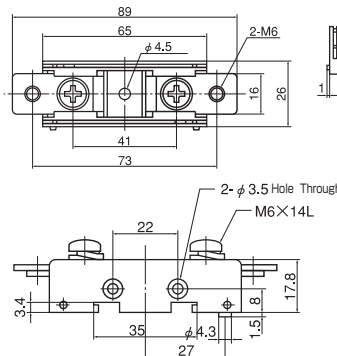
◆ For screwing type fuses

Specifications/Dimensions

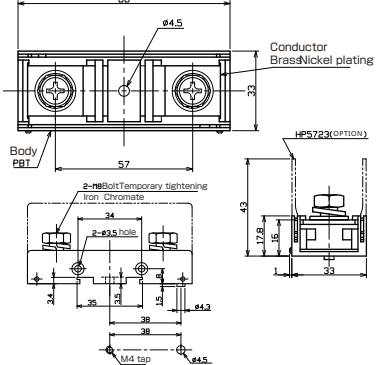
HT4017



HT4017T2



HT5723



● Specifications

Rated voltage	400V	Applicable fuses	Our product 250FH-20 to 60 250GH-20 to 125*2 350GH-16 to 100*2
Rated amperage	75A*1	Material	PBT
Applicable wires	Up to 22mm ² (M6)	Option	Dashboard HP40 (one can be installed on each side.)
Installation	DIN rails and direct installation		
Installing hole size			

Rated voltage	400V	Applicable fuses	Our product 350GH-125 to 200 250GH-160 to 250*2
Rated amperage	100A*1	Material	PBT
Applicable wires	Up to 38mm ² (M8)		
Installation	DIN rails and direct installation		

