

600KFK

FEATURES

- Maintain fast acting performance and durability against inrush currents
- Compact size with $\Phi 10$
- Board mount type fuse
Suitable for use in power conditioners with storage batteries

RATING

Rated voltage and blocking capacity: AC600V DC500V

AC600V-10kA DC500V-10kA(L/R=1ms)

Minimum block-off current : AC600V,DC500V(L/R=2ms) 6 times the rated amperage.

AC400V,DC400V(L/R=2ms),

DC450V(L/R=0.5ms) 2 times the rated amperage.



600KFK

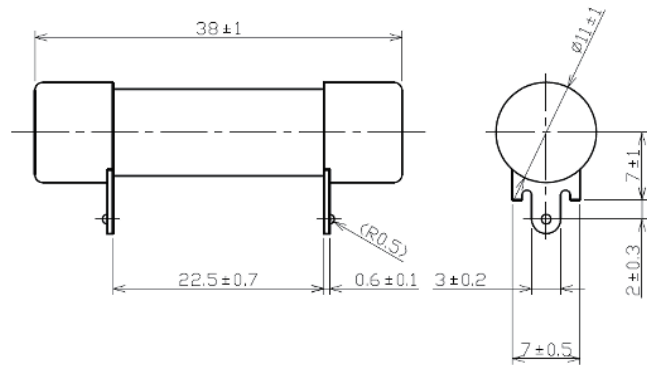
CAUTION!

- Read "FOR SAFE USE" and "PROTECT FUSE USER'S GUIDE" at the back of this
- Arc re-ignition may occur if the fusing current is less than 4 times larger than the fuse.
- Fuse should be used less than 50% of their rated current.
- The power loss and the temperature characteristics are studied using an FR-4 board (one-side board) and a 35- μ m-thick copper foil with a copper foil width of 2 mm/A depending on the rated amperage (e.g. 15 mm width for a product rated at 30 A).

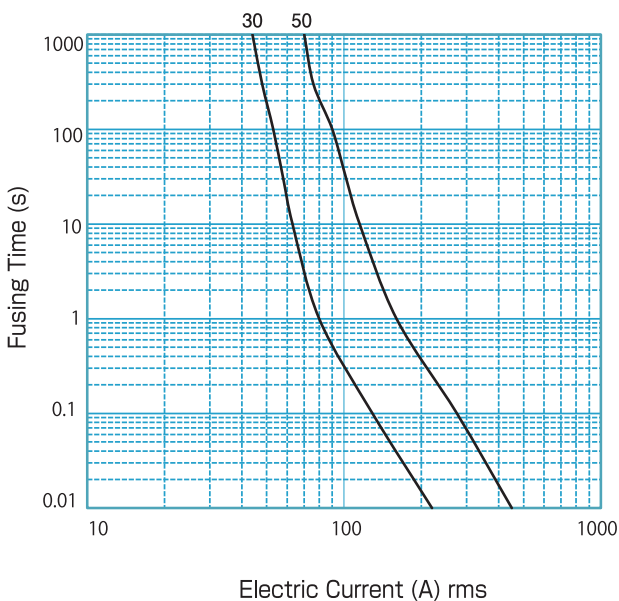
Specifications

Type	Rated Amperage (A)	Fusing It (A ² s)	Shutdown I ² t (A ² s)	Power Loss (W)	Weight (g)
600KFK30	30	305	1500	7.5	10.5
600KFK50	50	1220	5500	11.3	

Dimensions



Fusing Characteristics



Temperature Rise

