

1000SPF

FEATURES

- Large capacity, 1000V-1500A
- Square type; capable of being connected with copper bars
- Standard model equipped with function to indicate fusing
- Microswitch can be installed (optional)

RATING

Rated voltage and blocking capacity : 1000V AC-100KA
 800V DC (L/R = 10ms)-100KA
 Minimum block-off current : 1000V AC/800V DC - 7 times the rated amperage
 Maximum arc voltage : 2000V



UL standard approved rating

Rated voltage and blocking capacity: Same as the standard rating

CAUTION!

- Read "PROTECT FUSE USER'S GUIDE" and "FOR SAFE USE" at the back of this catalog before use.
- The minimum working voltage of the fusing indication function is 10V.

Specifications

Standard Model

Ta=25°C

Type	Rated Amperage (A)	Fusing I ² t (x10 ³ A ² S)	Shutdown I ² t (x10 ³ A ² S) at AC1000V 100KA	Power Loss (W)	Dimensions (mm)					Weight (g)	Fig	Standard Approved
					A	B	C	D	M			
1000SPF80S	80	0.9	8.0	16	A1=30 A2=43	73	27	50	M8 Depth 8	260	1	—
1000SPF100S	100	1.2	12.0	19								
1000SPF125S	125	2.0	19.0	23								
1000SPF160S	160	3.1	31.0	30	51	73	38	61	530			
1000SPF200S	200	4.8	47.0	35								
1000SPF250S	250	6.9	55.0	42	60	73	43	66	800			
1000SPF315S	315	12.5	123.0	56								
1000SPF350S	350	16.0	157.0	60								
1000SPF400S	400	23.0	210.0	66	75	73	51	75	1290			
1000SPF500S	500	33.0	325.0	95								
1000SPF630S	630	63.0	590.0	125	100	79	63	87	2300			
1000SPF700S	700	70.0	670.0	135								
1000SPF800S	800	94.0	900.0	160								
1000SPF1000P1S	1000	133.0	1330.0	185	75	93	51	75	3200	2		
1000SPF1250P1S	1250	250.0	2360.0	240								
1000SPF1500PS	1500	380.0	3700.0	340	100	99	63	87	6300	3		

UL Approved Model

Type	Rated Amperage (A)	Fusing I ² t (x10 ³ A ² S)	Shutdown I ² t (x10 ³ A ² S) at AC1000V 100KA	Power Loss (W)	Dimensions (mm)					Weight (g)	Fig	Standard Approved
					A	B	C	D	M			
1000SPF125SUL	125	2.0	19.0	23	51	73	38	61	M8 Depth 8	530	1	UL
1000SPF160SUL	160	3.1	31.0	30								
1000SPF200SUL	200	4.8	47.0	35								
1000SPF250SUL	250	6.9	55.0	42	60	73	43	66	800			
1000SPF315SUL	315	12.5	123.0	56								
1000SPF350SUL	350	16.0	157.0	60								
1000SPF400SUL	400	23.0	210.0	66	75	73	51	75	1290			
1000SPF500SUL	500	33.0	325.0	95								
1000SPF630SUL	630	63.0	590.0	125	100	79	63	87	2300			
1000SPF700SUL	700	70.0	670.0	135								
1000SPF800SUL	800	94.0	900.0	160								

Dimensions

Fig 1

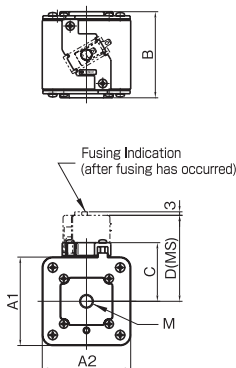


Fig 2

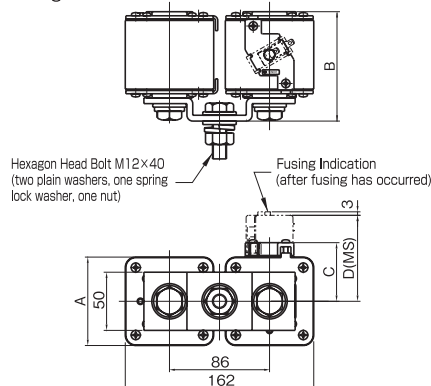
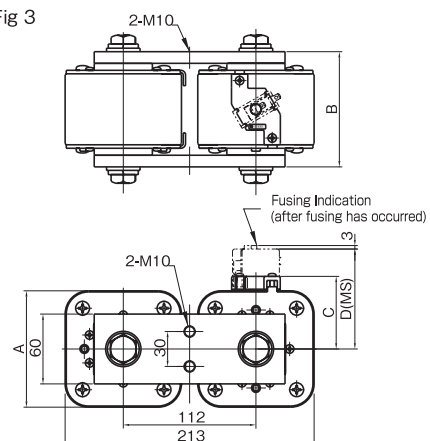
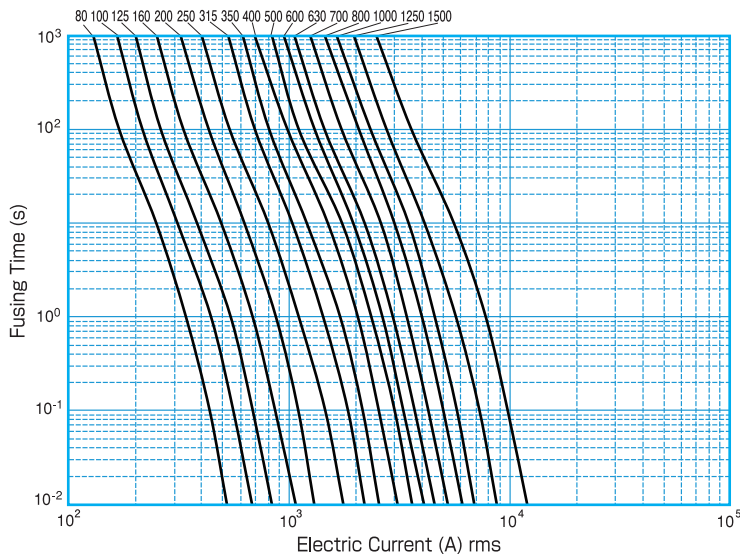


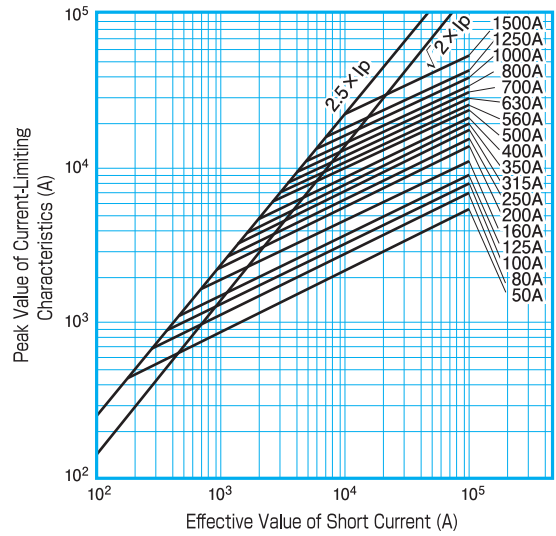
Fig 3



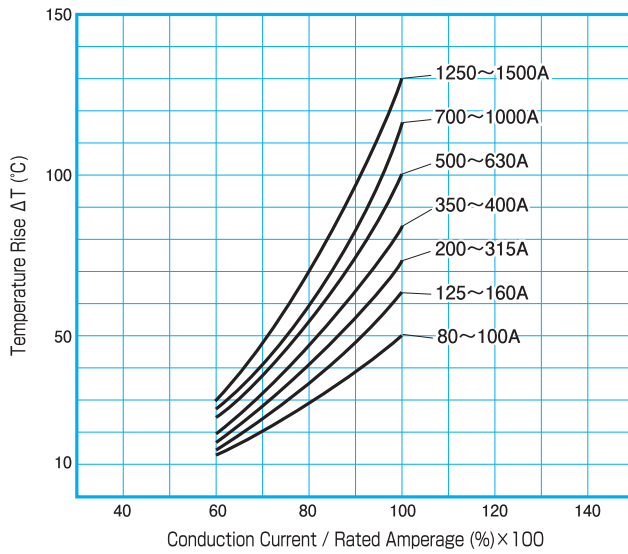
Fusing Characteristics



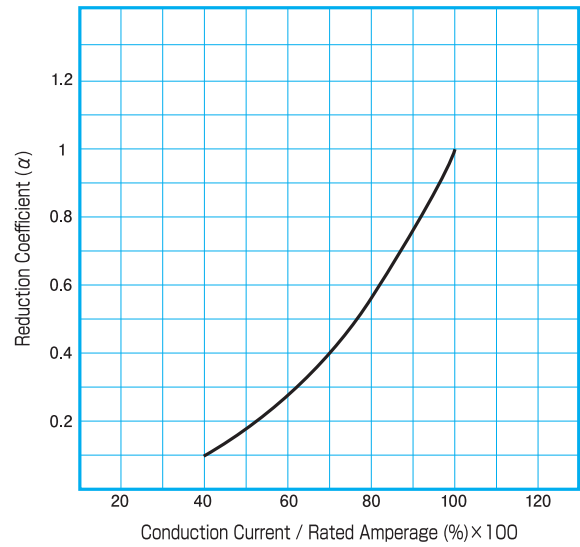
Current-Limiting Characteristics



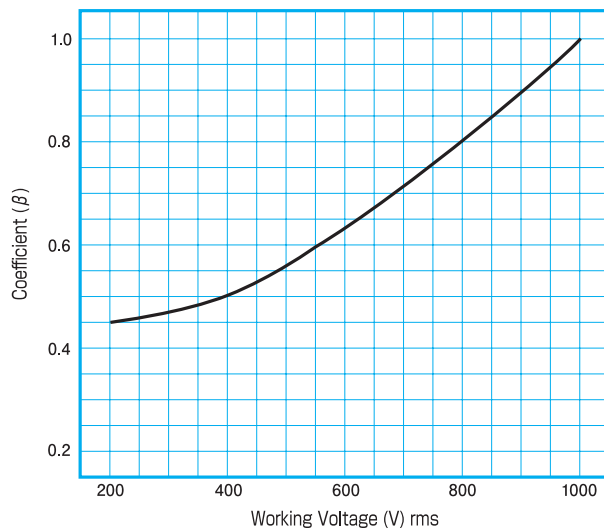
Temperature Rise



Power Loss



Shutdown I^2t Against Working AC Voltage



Application to Direct-Current Circuit

